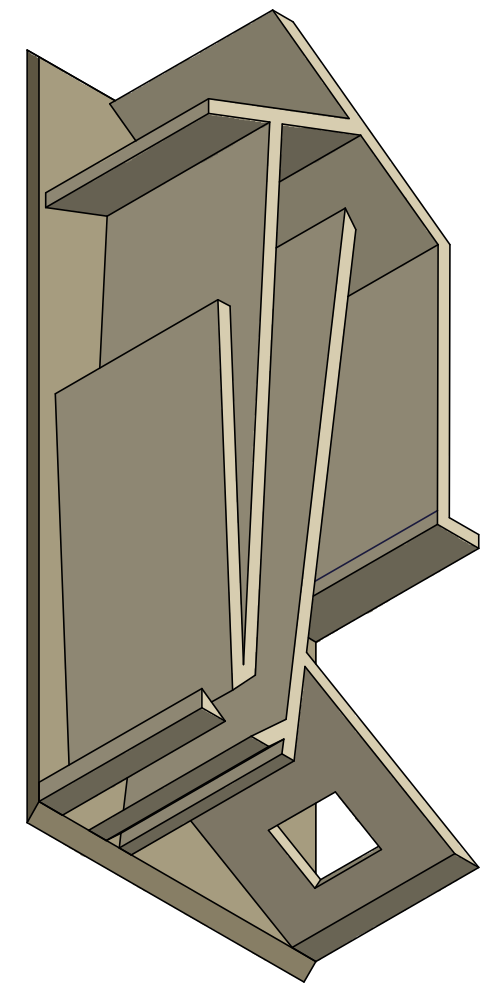
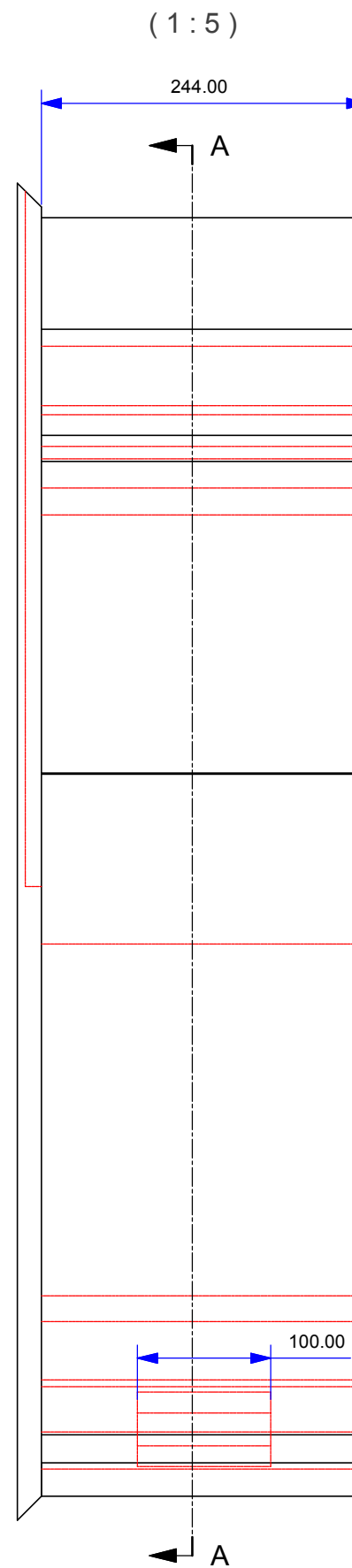


Dimensions needed to maintain 50.00 gap

Interior panels are shown against a side panel for clarity
 All interior panels are manufactured from 18.00mm MDF



Interior Panels

Lowther Loudspeaker Systems Ltd.			
Fidelio Cabinet			
Sheet Number: 1	Drawn By: R. Quinton	Drawing Number: RQ\FID\A3\0001	Material: MDF
Total Sheets: 6	Date: 10/10/2003	Drawing Units: Millimeters	